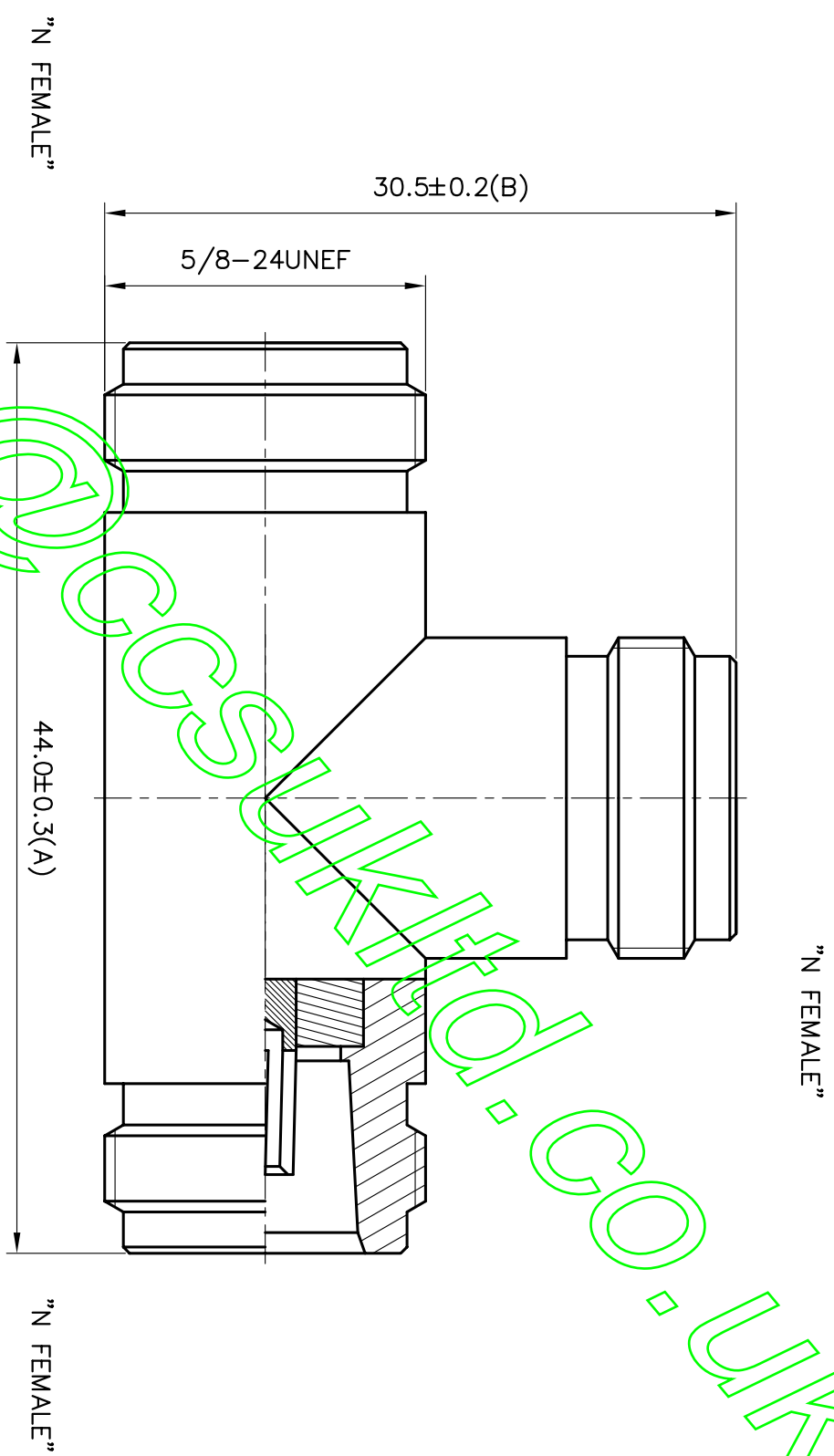


ISS	DESCRIPTION \ DATE

RoHS COMPLIANT



CONNECTORS CABLES
HCS
SPECIALISTS LTD

TITLE: N THREE FEMALE

PART NO: N1JJA50

DRAWING NO: 20521 (A621B000)

ISO 9001 certificate

APRD:	UNLESS OTHERWISE SPECIFIED TOLERANCES
CHKD:	0.5-6 = ±0.2
DR: 力英豪	>6-30 = ±0.4
DATE: 11/19/10"	>30-120 = ±0.6
SHEET: .	>120-315 = ±1.1
	>315-1000 = ±1.6
	ANGLES = ±5°

030	DATE: 11/19/10"	UNIT: mm	SCALE: 3/1
-----	-----------------	----------	------------

NO.	DESCRIPTION	MATERIAL	FINISH
	CONTACT PIN	BRASS	GOLD
	INSULATOR	TEFLON	WHITE
	BODY	BRASS	NICKEL
			FINISH